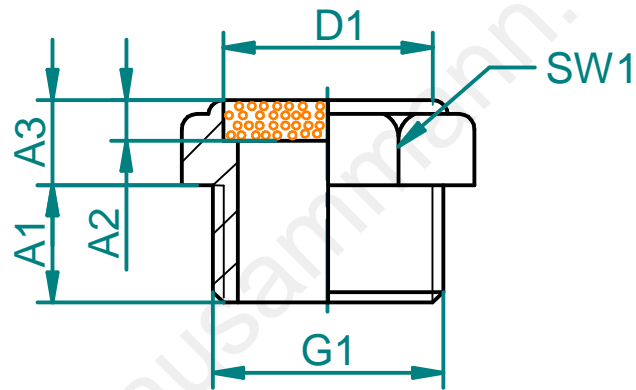


General tolerances ISO 2768-m						Index	Date	Visum	Modification	Index	Date	Visum	Modification
Basic-size	...6	> 6 ...30	> 30 ...120	>120 ...400	> 400 ...1000								
medium	±0.1	±0.2	±0.3	±0.5	±0.8								



Specifications points D,K,H	
D= doc.points	
K= critical	
H= main	

Accord-draw.no.: Origin-draw.no.: Replacement for:	Material:				
	Messing				
	Scale				
	44.052				
<b>HAUSAMMANN</b> KOMponenten PRODUKTION SYSTEME		Date 24.10.11	Visum E.Z	Phone 	
		plotted checked	Date 24.10.11	Visum E.Z	Phone 
		<b>Solid Edge</b>	Format <b>A4</b>	Index <b>00</b>	
© 2010, Für dieses Dokument behalten wir uns alle Rechte vor.		© 2010, Nous nous reservons tous les droits sur ce document		© 2010, We reserve all rights in connection with this document	